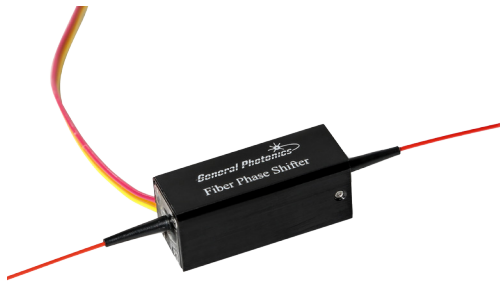


Fiber Phase Shifter (FPS-001)

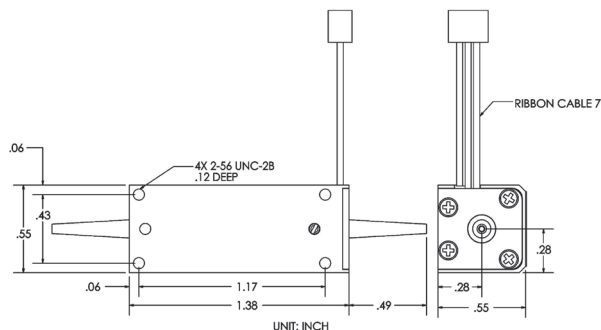


General Photonics' all fiber phase shifter/modulator provides phase shifts up to 15π at frequencies from DC to 20 kHz. The all fiber construction practically eliminates insertion loss and back reflection. This compact device is ideal for fiber laser systems, fiber resonators, and fiber interferometers for precision phase tuning or phase modulation.

Specifications:

Insertion Loss	< 0.1 dB
Return Loss	> 65 dB
Total Phase Shift (0 – 20 kHz)	> 8π
Half-wave Voltage (0 – 20 kHz)	< 20 V
Operating Wavelength	1260 to 1650 nm or 980 to 1310 nm standard
PDL	< 0.05 dB
Residual Amplitude Modulation	± 0.01 dB
Operating Temperature	0 to 50 °C
Storage Temperature	-40 to 85 °C
Max. Applied Voltage	150 volts
Dimensions	Pigttailed: 1.38" (L) × 0.55" (W) × 0.55" (H) NoTail™: 2.90" (L) × 0.55" (W) × 0.55" (H)
Note: Specifications in this table are for devices with SM fiber, without connectors. Information for devices with other types of fiber is available on request.	

Dimensions (in inches):



Ordering Information:

FPS — 001	—	—	—	—
	□	□	□	□
	↓	↓	↓	↓
	Wavelength Range:	Pigtail:	Fiber Type:	Connector Type:
	SM: 01 = 1260 - 1650 nm 02 = 980 - 1310 nm	90 = 900 μ m jacket NT = NoTail™	SS = SM fiber PP = PM fiber	FC/PC, FC/APC SC/PC, SC/APC or NC = no connectors Other specify
	PM: 15 = 1550 nm 13 = 1310 nm 10 = 1060 nm			

Features:

- Compact size
- Low insertion loss
- Low residual amplitude modulation
- Low PDL
- Low cost
- NoTail™ model available

Applications:

- Fiber interferometers
- Fiber laser systems
- Fiber sensor systems

Related Products

- Phase Shifters (FPS-002, FPS-003)

FAQ:

- Phase Shifters